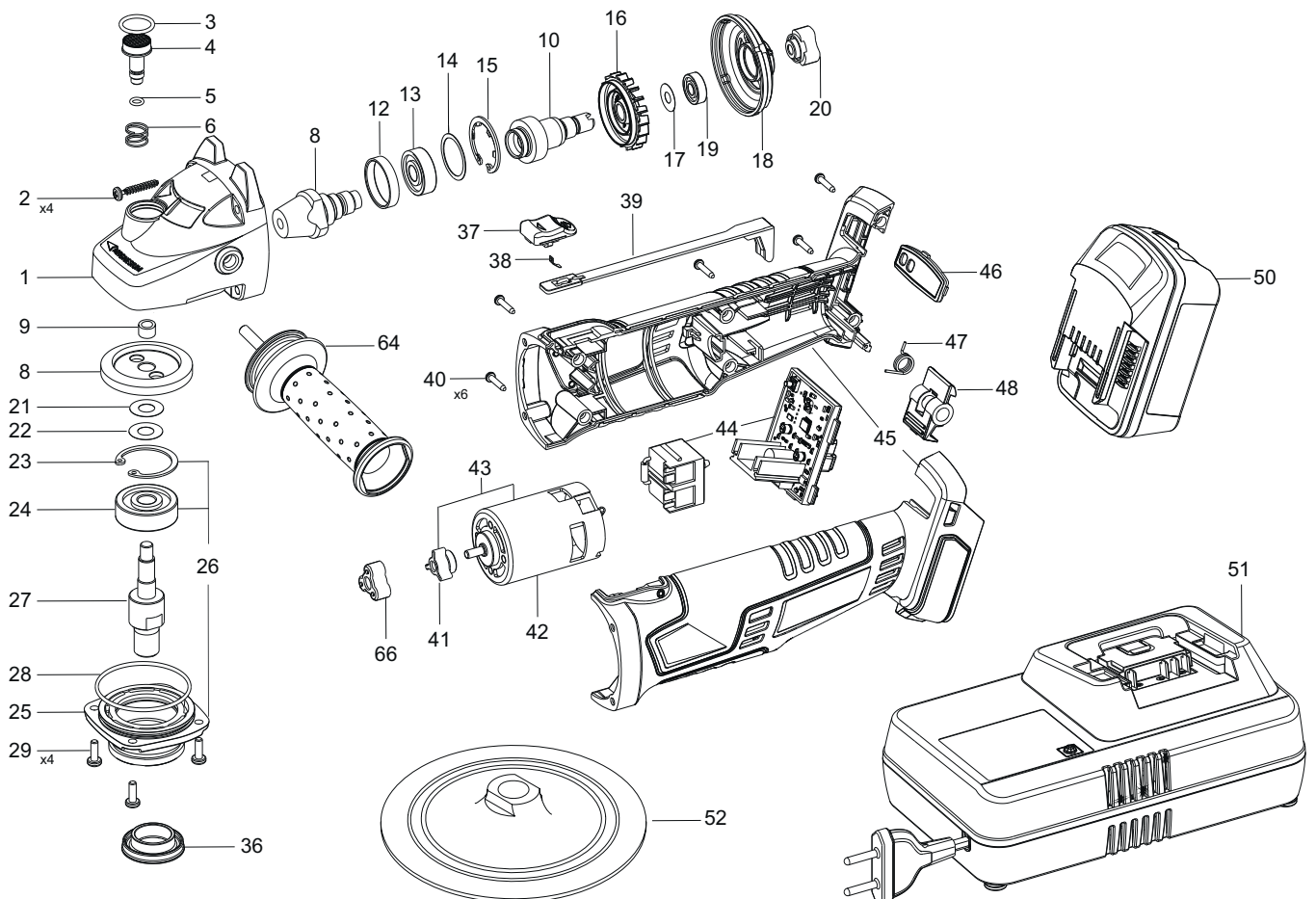


POS. No.	Ref. No.	Description
----------	----------	-------------

POS. No.	Ref. No.	Description
----------	----------	-------------

- 1 145258 Gear box
- 2 361468 Screw K4x22 TORX 20
- 3 330335 O-ring 16X2B
- 4 145789 Lock button
- 5 330704 O-ring 5x1,5 NBR 70
- 6 115165 Spring
- 8 149048 Gear set
- 9 933756 Bearing HK0709
- 10 149069 Shaft
- 11 145257 Shaft set
- 12 156478 Rubber bush
- 13 330945 Bearing 6000 2RSL P63 LDS18SpA
- 14 156480 Inner Flange
- 15 154796 Circlip SPARKY 30
- 16 142629 Fan
- 17 154261 Oil - churning bush
- 18 142628 Shield - Diffuser
- 19 331233 Bearing 607 2RSL P63 LDS18SpA
- 20 142625 Rivet 1
- 21 117798 Spacer washer
- 22 117799 Spacer washer
- 23 330732 Circlip A35-1D
- 24 331669 Bearing 6202-2RSL (15x35x11)
- 25 149306 Bearing bed HD

- 26 149307 Bearing bed set HD
- 27 117788 Spindle
- 28 330847 O-ring 48x2.0 NBR 70
- 29 361131 Screw H2-M4x12
- 36 147939 Labyrinth Washer
- 37 157301 Button
- 38 157990 Spring
- 39 142624 Guiding switch lever
- 40 361303 Screw
- 41 142626 Rivet 2
- 42 142786 Motor MABUCHI RT-8B7WA
- 43 142789 Motor set
- 44 149539 PCB+switch set
- 45 142773 Casing set SPARKY
- 46 143611 Screen
- 46A 142679 Screen
- 47 142775 Spring
- 48 142685 Lock button
- 50 148363 Battery pack ass'y BL 1840
- 51 148367 Charger.ass'y/EU (12-18V/1,5-3Ah)Li
- 52 152333 Disk
- 64 146375 Handle AVR M8/L10
- 66 142627 Rivet



11 - 10, 16, 17,18,19,20